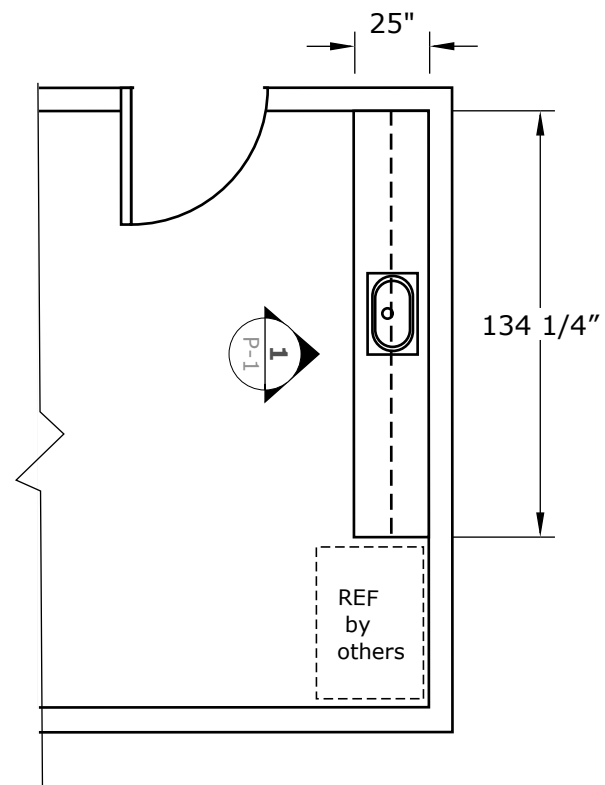


Breakroom

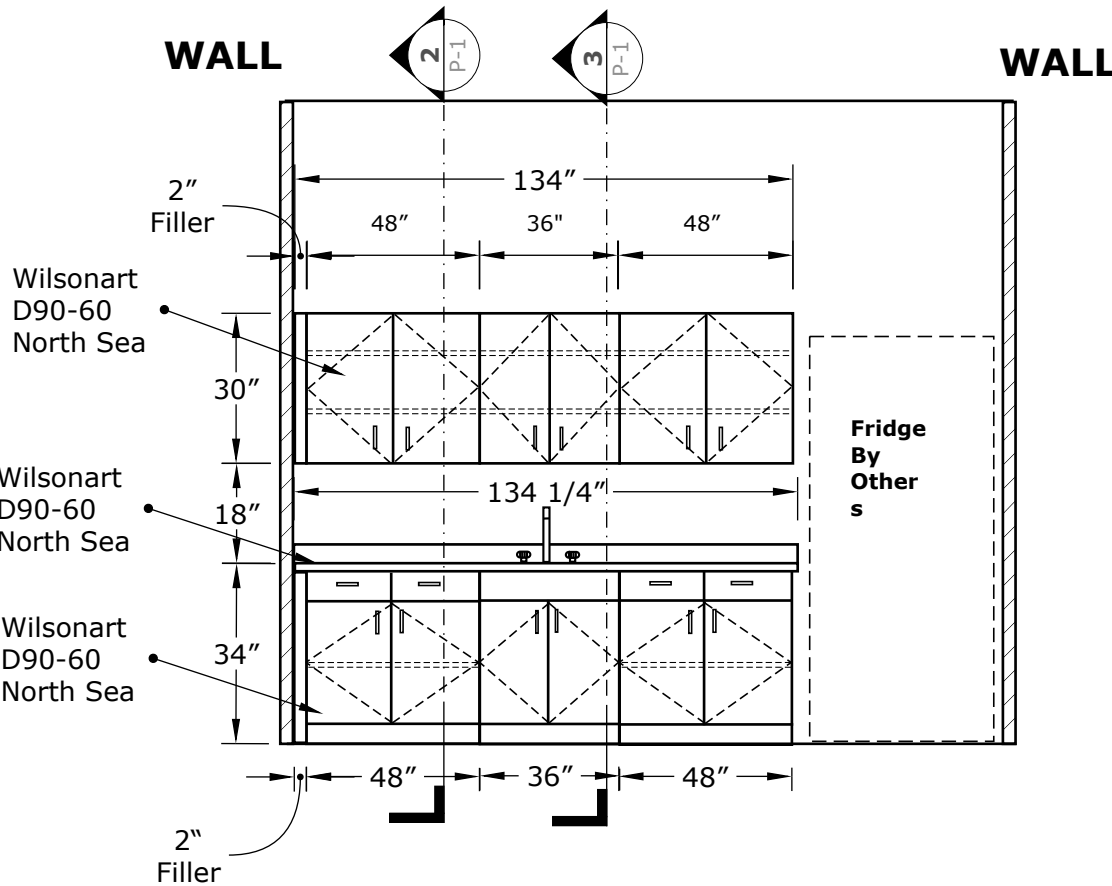


Lock :
N/A

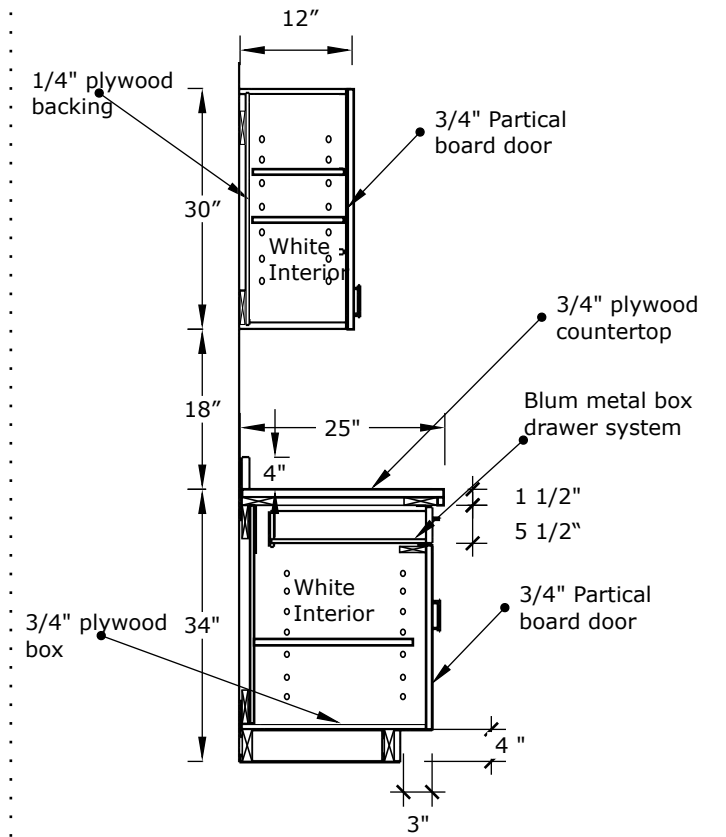
Cabinet material:
3/4" plywood
Cabinet color:
Wilsonart D90-60
North Sea
Countertop material :
3/4" plywood
Countertop color:
Wilsonart D90-60
North Sea
Adjustable shelves :
3/4" plywood
Cabinet door/drawer
front : 3/4" Plywood
Edges : 0.018" PVC
edge band



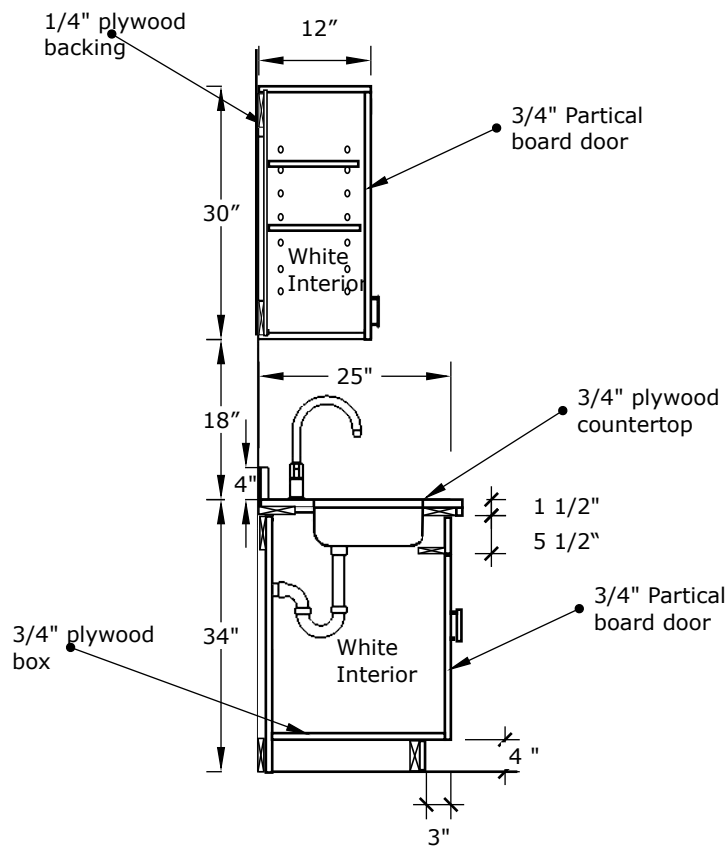
0 Breakroom Plan View
P-1 Scale: 3/16" : 1'



1 Breakroom Elevation
P-1 Scale: 5/16" : 1'



2 Cabinet Section View
P-1 Scale: 1/2" : 1'



3 Cabinet Section View
P-1 Scale: 1/2" : 1'

American Casework & Millwork LLC
P.O. Box 950817
Lake Mary, FL 32746
407-416-9011

Ivy Smith Breakroom

AWI control no. :

Revision:

1 Date:

2 Date:

3 Date:

Drawn By:
Janet He

Date:
04/10/2020

Room Name /
Page Name:

Breakroom

Page No.:

P-1