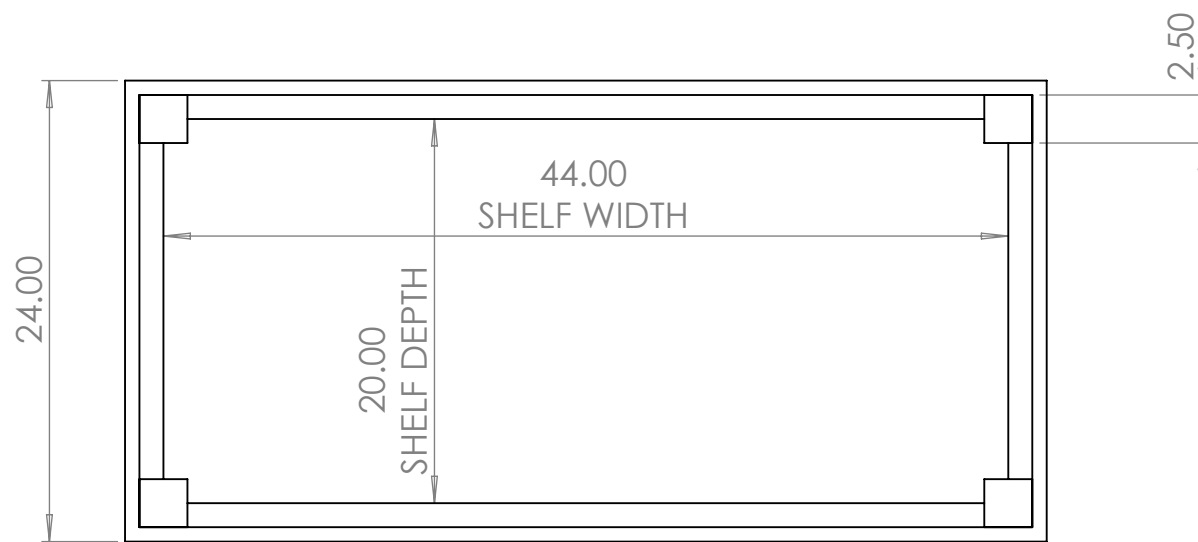
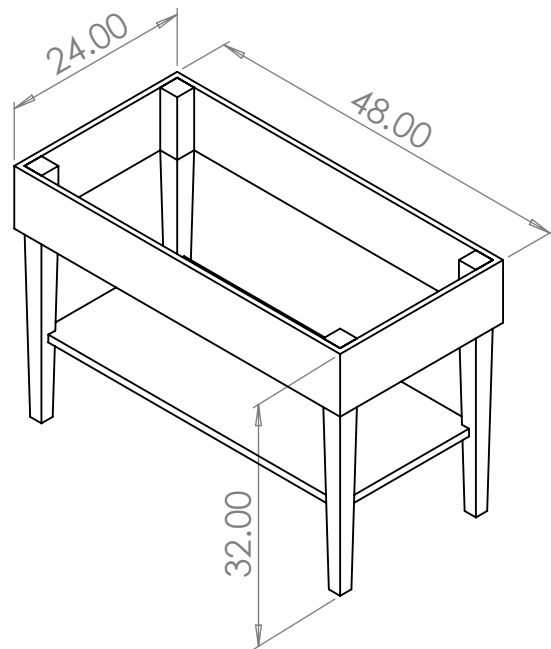


SHOP DRAWING: VANITY

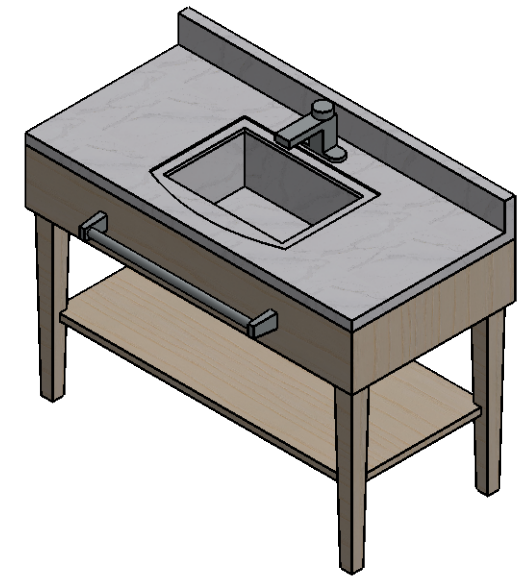
NOTES:

- BATHROOM VANITY PER CLIENT'S DRAWING SHEET I-6.71, DETAIL 4 AND 5.
- DIMENSIONS ARE IN INCHES, UNLESS OTHERWISE SPECIFIED.
- STONE COUNTER AND SINK (ST-501) BY OTHER.
- MILLWORK MATERIAL TO BE STAINED WOOD (LEGS AND APRON), STYLE TBD.
- TOWEL BAR TO BE COMMERCIAL STAINLESS STEEL, 24 INCH, MODEL NUMBER TBD.

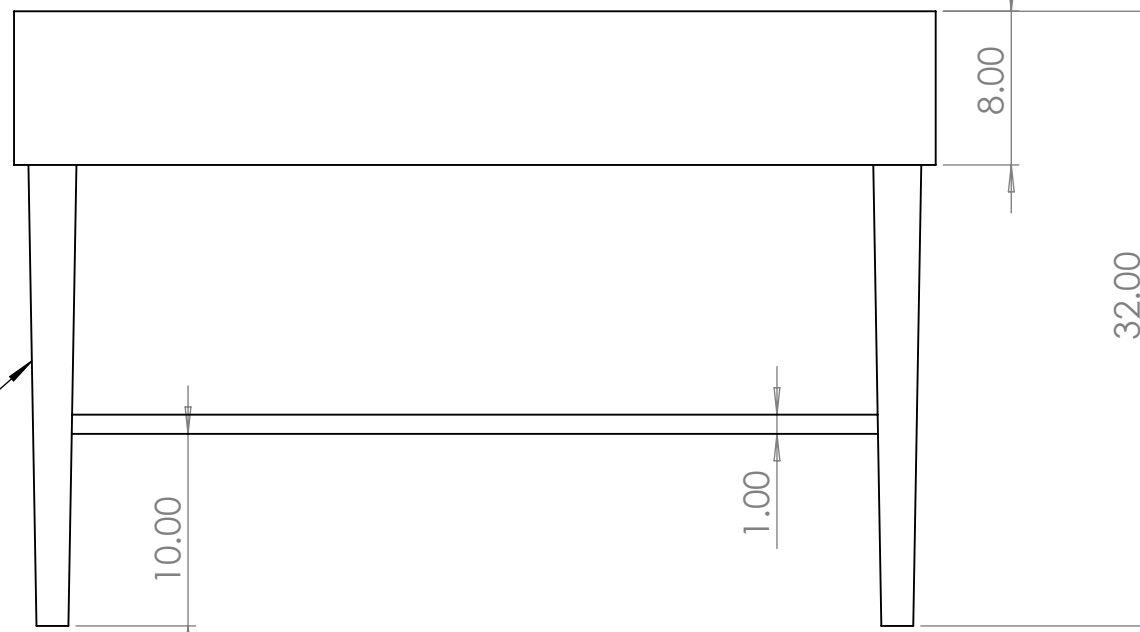


TOP VIEW
SCALE 1:10

COUNTERTOP AND FAUCET BY OTHER



LEGS
TOP WIDTH 2.5IN
TAPERED 1 DEGREE
32IN OVERALL HEIGHT



FRONT VIEW
SCALE 1:10

24IN TOWEL BAR MOUNTED
CENTER TOP-BOTTOM
CENTER LEFT-RIGHT

